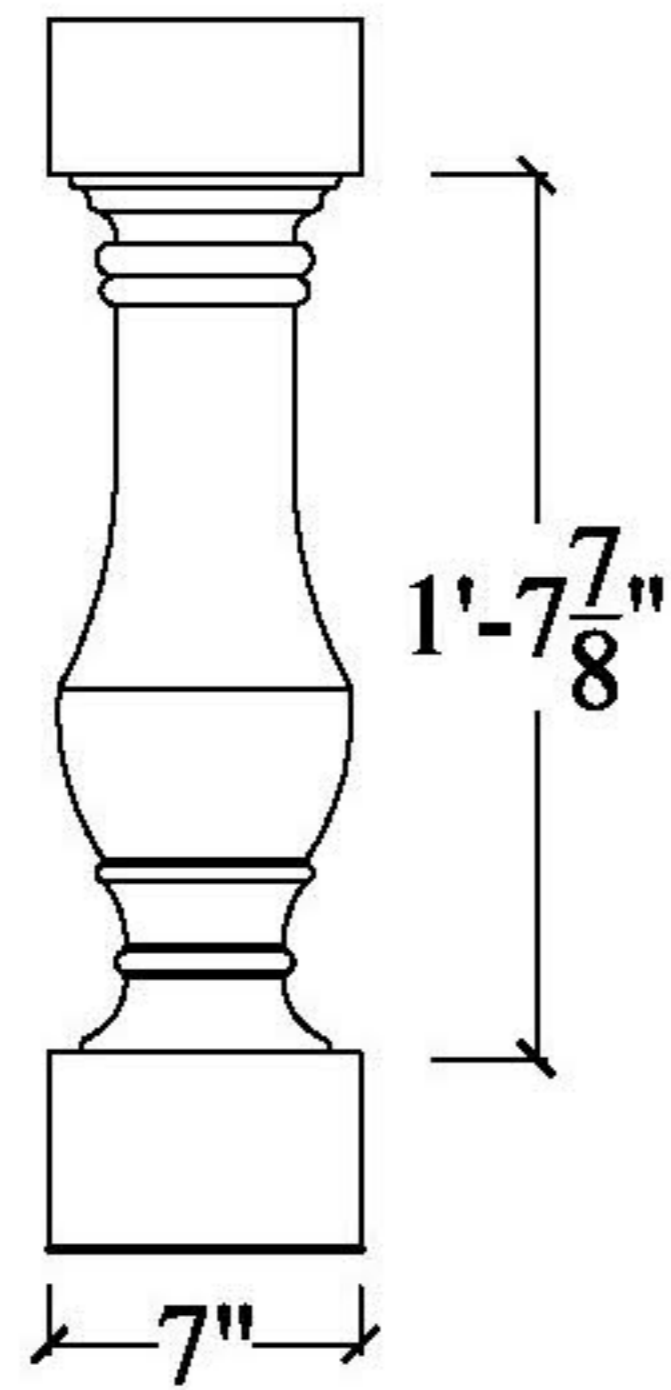
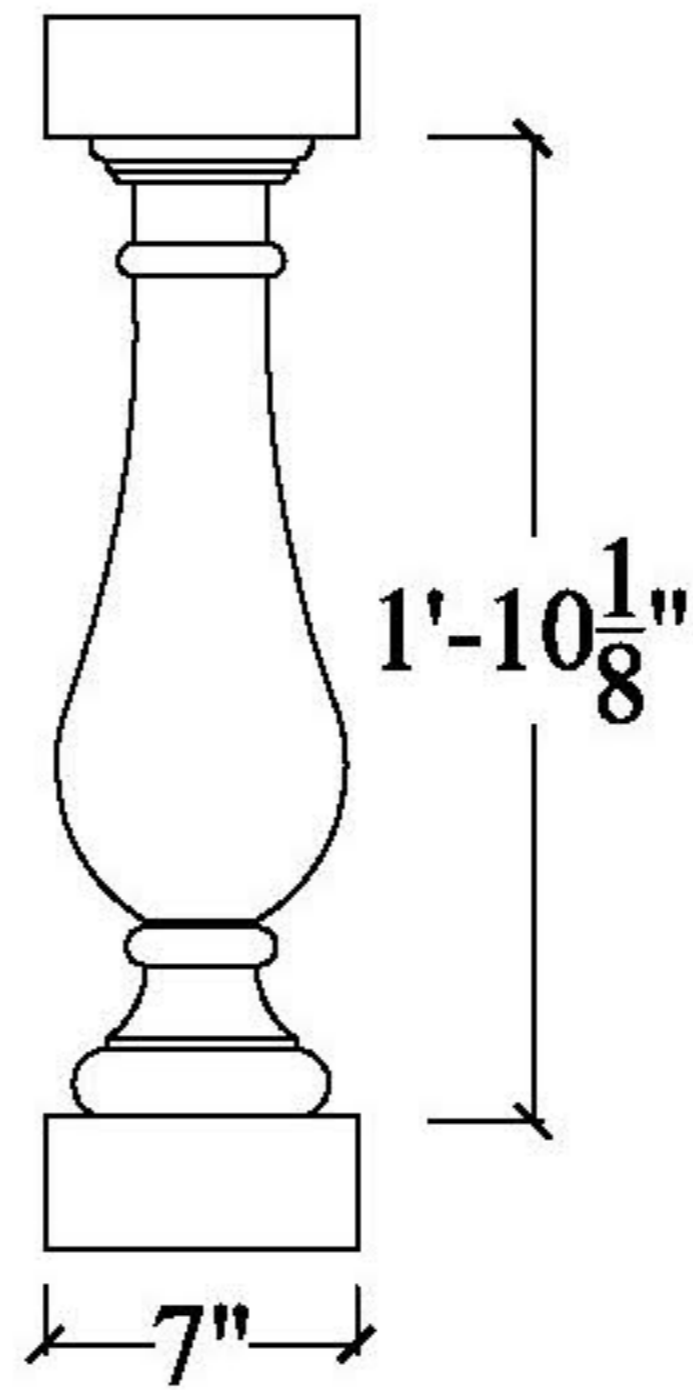


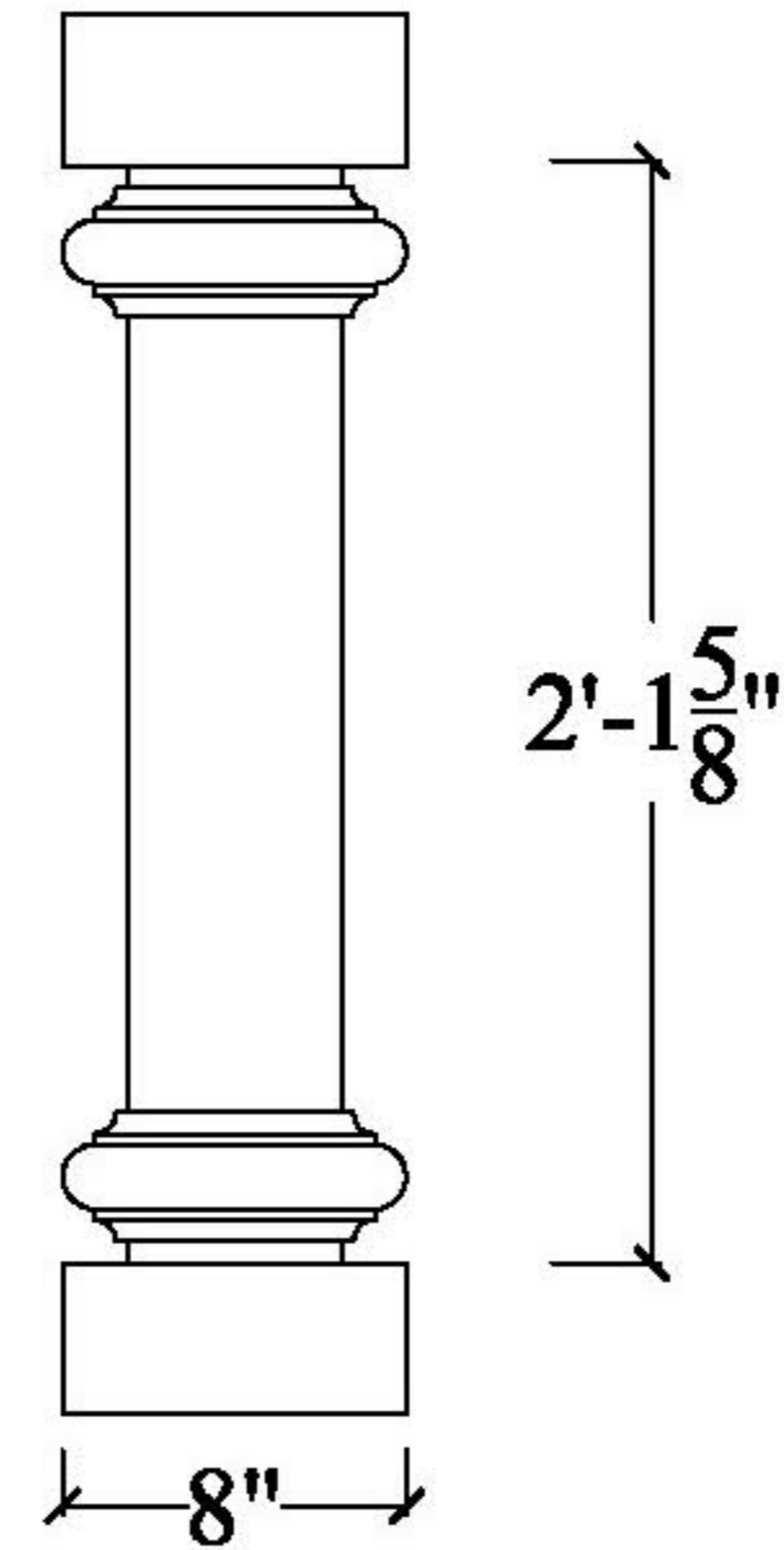
DEARBORN



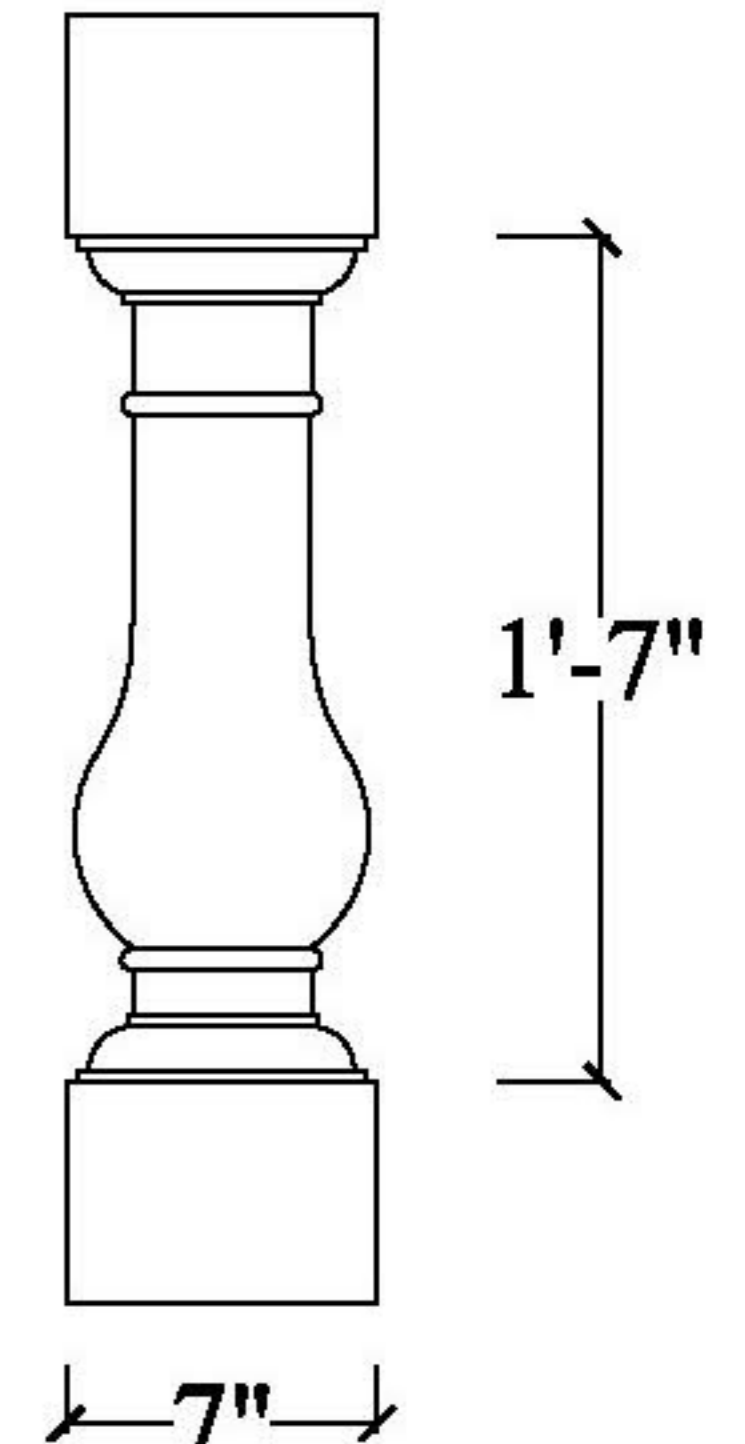
SCHUBERT



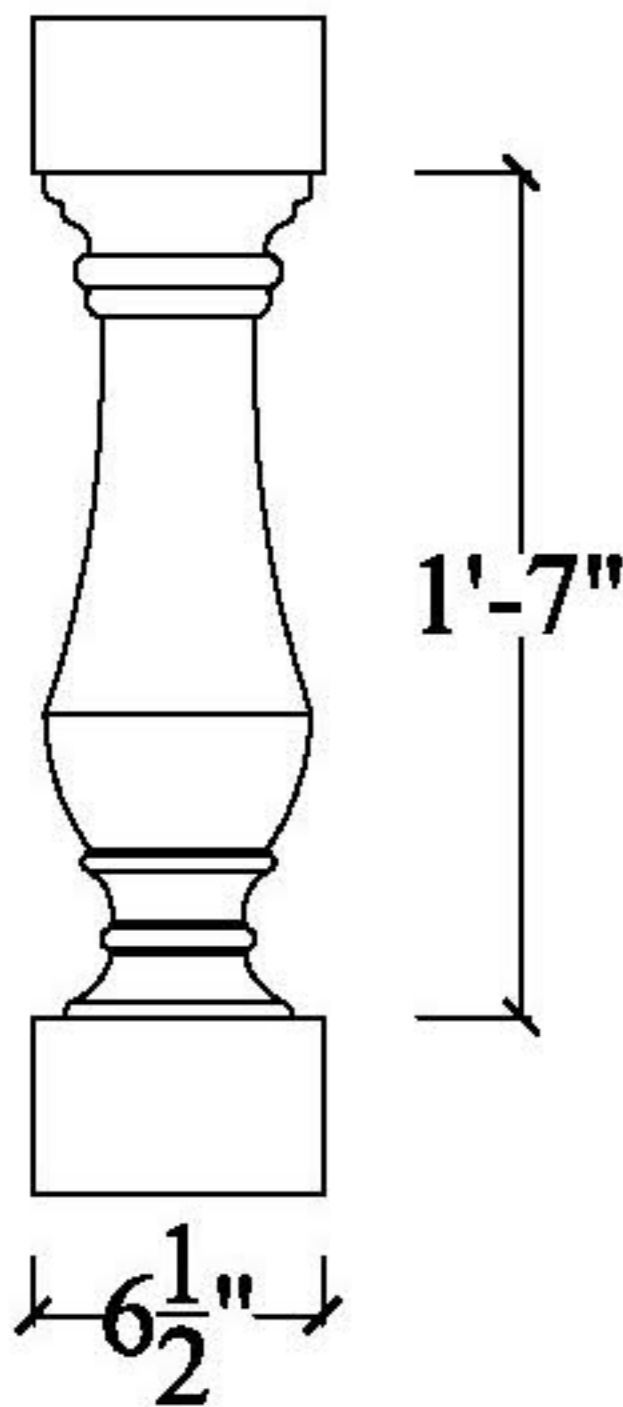
DAYTON



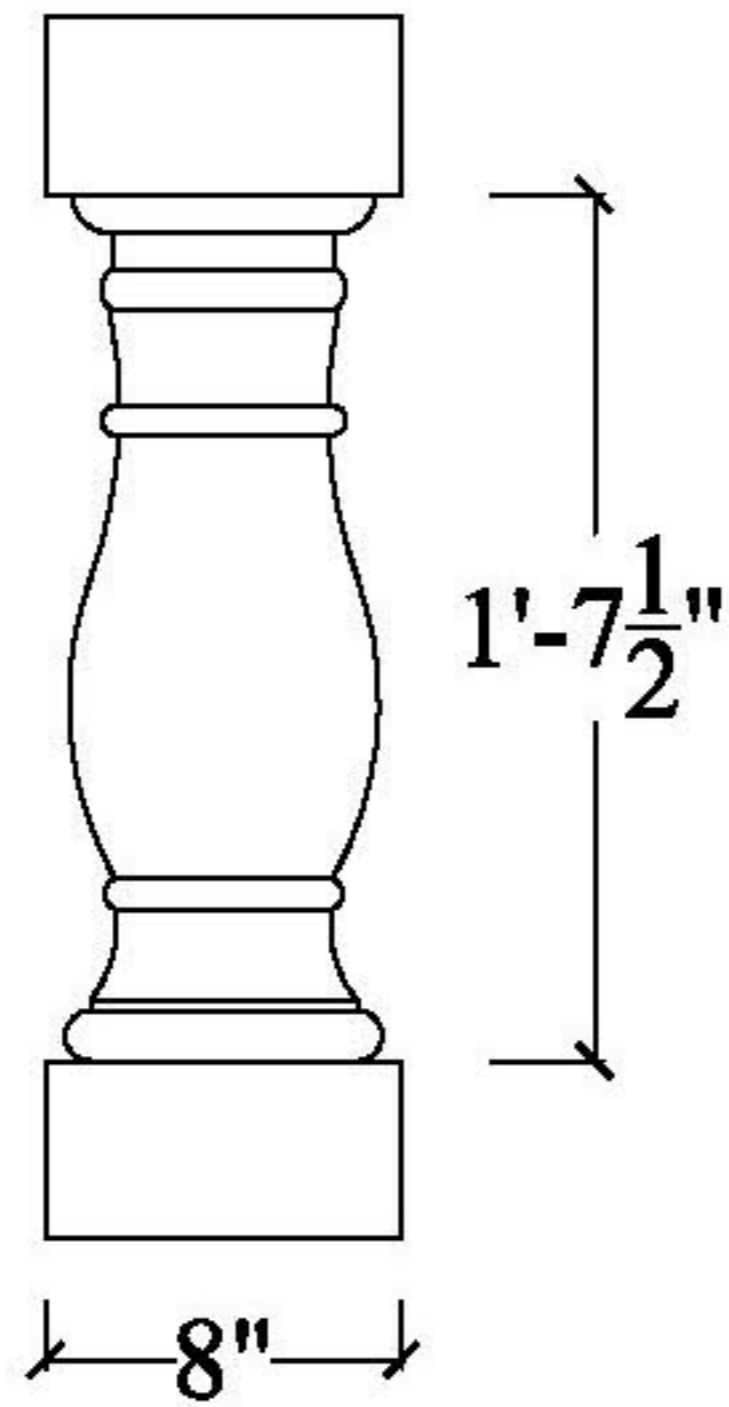
ARCHER



PALOS PARK



TRINITY



GFG



**GARY GALASSI**  
STONE & STEEL, INC.

44 EAST DEVONWOOD  
ROMEOLVILLE, IL. 60446  
PHONE # (815) 886-3906  
FAX # (815) 886-4461

NOTES:

ALL DIMENSIONS & DETAILS SHOULD BE  
FIELD VERIFIED BY MARON CONTRACTOR.

PROJECT & LOCATION

BALUSTERS

SCALE:

1"=1'-0"

SHEET#

SD-1

PRINT RECORD

ISSUED FOR	REVISIONS	
	NO.	DATE
10/11/10	RECORD	